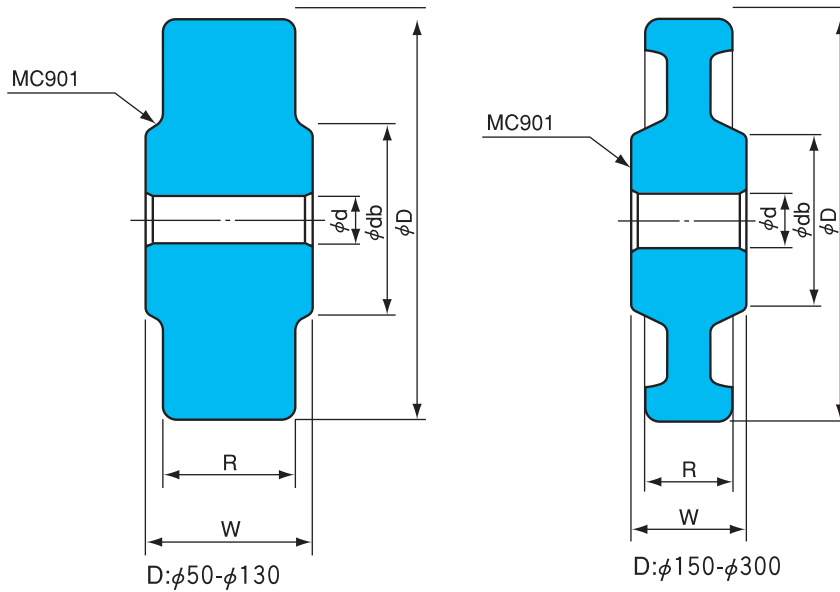


# MC NYLON WHEEL

MC-VN • MC-STVN



## ●MC-VN

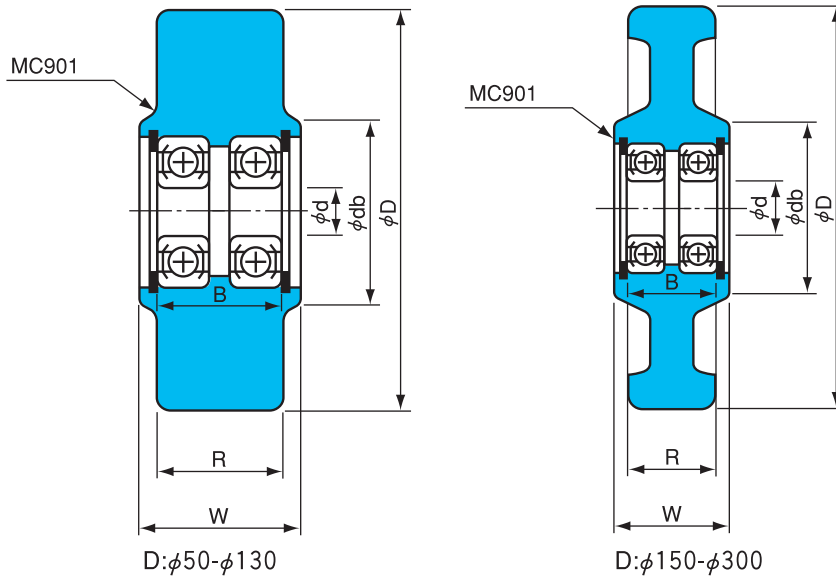
No.	D mm	R mm	d mm	d b mm	W mm	Rotation resistance coefficient	Maximum allowable weight N	Weights g/pc
50×24	50	24	8	30	29	0.040	2,059	60
65×34	65	34	12	40	39	0.046	3,334	130
75×32	75	32	10	45	36	0.033	3,530	170
100×34	100	34	12	47	38	0.030	5,099	310
130×42	130	42	20	59	50	0.039	8,238	650
150×44	150	44	20	67	52	0.033	9,807	750
180×45	180	45	20	72	54	0.028	11,768	1,040
200×45	200	45	20	82	54	0.025	13,043	1,280
250×54	250	54	25	96	63	0.025	20,300	2,330
300×60	300	60	30	108	70	0.025	26,478	3,730

※Maximum allowable weight is a reference at vertical weight

Black numbers : Standard item  
 Blue numbers : Non-Standard item  
 - : Not manufactured

# MC NYLON WHEEL

MC-VB • MC-VS  
MC-STVB



## ● MC-VB

No.	D mm	R mm	d mm	d b mm	W mm	B mm	Bearing No.	Maximum allowable weight N	Weights g/pc
50×24	50	24	8	30	29	18.0	608ZZ	2,059	75
65×34	65	34	12	40	39	29.0	6201ZZ	3,334	180
75×32	75	32	10	45	36	25.3	6200ZZ	3,530	210
100×34	100	34	12	47	38	27.3	6201ZZ	5,099	360
130×42	130	42	20	59	50	38.2	6004ZZ	8,238	740
150×44	150	44	20	67	52	40.2	6204ZZ	9,807	870
180×45	180	45	20	72	54	42.2	6204ZZ	11,768	1,170
200×45	200	45	20	82	54	41.6	6304ZZ	13,043	1,480
250×54	250	54	25	96	63	48.6	6305ZZ	20,300	2,630
300×60	300	60	30	108	70	54.6	6306ZZ	26,478	4,200

## ● MC-VS

No.	D mm	R mm	d mm	d b mm	W mm	B mm	Bearing No.	Maximum allowable weight N	Weights g/pc
75×32	75	32	10	45	36	25.3	6200ZZ	3,334	210
100×34	100	34	12	47	38	27.3	6201ZZ	4,413	360
130×42	130	42	20	59	50	38.2	6004ZZ	6,865	740
150×44	150	44	20	67	52	40.2	6204ZZ	9,414	870
180×45	180	45	20	72	54	42.2	6204ZZ	9,414	1,200

※ Maximum allowable weight is a reference at vertical weight

Black numbers : Standard item  
Blue numbers : Non-Standard item  
- : Not manufactured

# MC NYLON WHEEL

## ●MC-STVB

No.	D mm	R mm	d mm	d b mm	W mm	B mm	Bearing No.	Maximum allowable weight N	Weights g/pc
50×24	50	24	8	30	29	18.0	608ZZ	2,256	80
65×34	65	34	12	40	39	29.0	6201ZZ	4,021	200
75×32	75	32	10	45	36	25.3	6200ZZ	4,315	230
100×34	100	34	12	47	38	27.3	6201ZZ	5,982	380
130×42	130	42	20	59	50	38.2	6004ZZ	8,924	820
150×44	150	44	20	67	52	40.2	6204ZZ	11,278	970
180×45	180	45	20	72	54	42.2	6204ZZ	12,258	1,300
200×45	200	45	20	82	54	41.6	6304ZZ	15,298	1,630

## ●MC-STVN

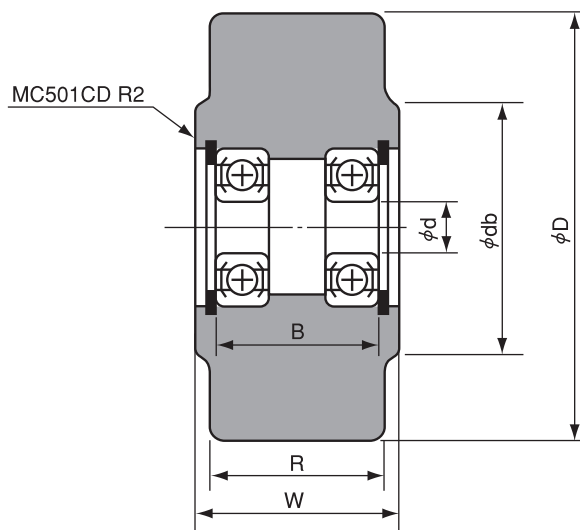
No.	D mm	R mm	d mm	d b mm	W mm	Maximum allowable weight N	Weights g/pc
50×24	50	24	8	30	29	2,256	70
65×34	65	34	12	40	39	4,021	150
75×32	75	32	10	45	36	4,315	190
100×34	100	34	12	47	38	5,982	360
130×42	130	42	20	59	50	8,924	730
150×44	150	44	20	67	52	11,278	840
180×45	180	45	20	72	54	12,258	1,150
200×45	200	45	20	82	54	15,298	1,430

※Maximum allowable weight is a reference at vertical weight

Black numbers : Standard item  
 Blue numbers : Non-Standard item  
 - : Not manufactured

# MC NYLON WHELL

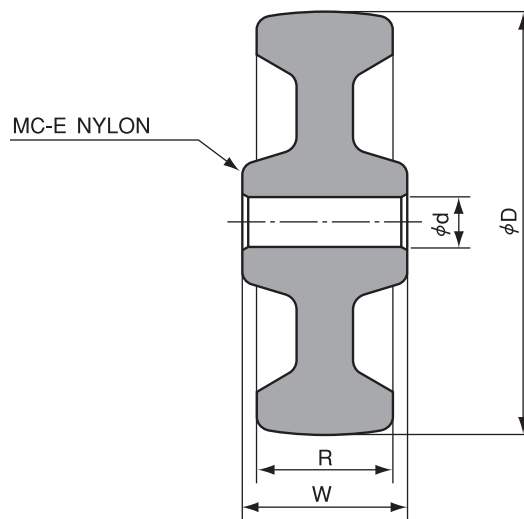
## ●MC-CDVB



No.	D mm	R mm	d mm	d b mm	W mm	B mm	Bearing No.	Maximum allowable weight N	Weights g/pc
50×24	50	24	8	30	29	18.0	608ZZ	2,059	75
65×28	65	28	10	40	32	22.0	6200ZZ	3,040	160
75×32	75	32	10	45	36	25.3	6200ZZ	3,530	220
100×34	100	34	12	47	38	27.3	6201ZZ	5,099	375

※Maximum allowable weight is a reference at vertical weight

# MC-E NYLON WHELL



No.	D mm	R mm	d mm	W mm	Rotation resistance coefficient	Maximum allowable weight N	Weights g/pc
50×23	50	23	10	28	0.050	785	40
65×25	65	25	10	30	0.038	1,079	65
75×32	75	32	10	37	0.033	1,667	115
100×33	100	33	12	38	0.030	2,550	200

※Maximum allowable weight is a reference at vertical weight

**Black numbers** : Standard item  
**Blue numbers** : Non-Standard item  
 - : Not manufactured