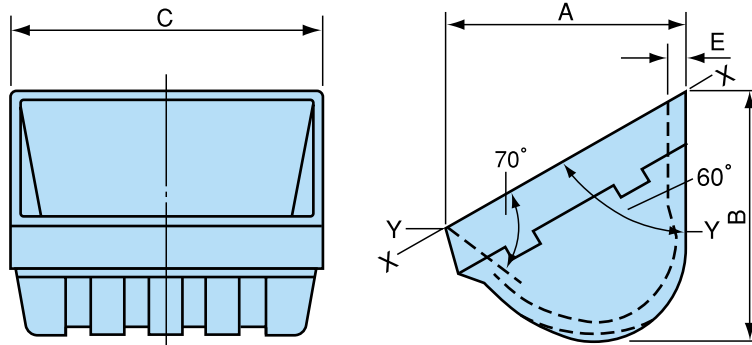


# NYLATRON® ELEVATOR BUCKET



## ● NYLATRON BUCKET

No.	A mm	B mm	C mm	E mm	X-X Volume ℓ	Y-Y Volume ℓ	Weights g/pc
NA1611E	118	125	167	6	1.10	0.55	270
NA2015E	155	159	202	10	2.18	1.17	600
NA2517E	160	172	250	10	3.29	1.83	810
NA3018E	180	186	300	10	4.56	2.38	1,100
NA3420E	200	203	340	10	6.38	3.40	1,300
NA4020E	200	203	400	10	7.58	4.10	1,700

## ● Polypropylene (P.P.) BUCKET

No.	A mm	B mm	C mm	E mm	X-X Volume ℓ	Y-Y Volume ℓ	Weights g/pc
1611PP	118	125	167	6	1.10	0.55	210
2015PP	155	159	202	10	2.18	1.17	470
2517PP	160	172	250	10	3.29	1.83	630
3018PP	180	186	300	10	4.56	2.38	830
3420PP	200	203	340	10	6.38	3.40	980
4020PP	200	203	400	10	7.58	4.10	1,400

Black numbers : Standard item  
 Blue numbers : Non-Standard item  
 - : Not manufactured