

MC NYLON ROLLER

●MC-RNW

No.	D mm	R mm	d mm	Rotation resistance coefficient	Maximum allowable weight N	Weights g/pc
75×32	75	32	20	0.027	4,511	160
100×42	100	42	35	0.035	7,649	340
130×42	130	42	35	0.027	10,003	600
150×52	150	52	40	0.027	14,710	990
200×52	200	52	40	0.020	17,946	1,820

●MC-R2BP

No.	D mm	R mm	d mm	B mm	Bearing No.	Maximum allowable weight N	Weights g/pc
75×32	75	32	12	12	6201ZZ	4,511	220
100×50	100	50	20	22	6204ZZ	9,414	580
115×50	115	50	25	20	6205ZZ	10,787	760
130×50	130	50	30	18	6206ZZ	12,160	1,000

●MC-R2BW

No.	D mm	R mm	d mm	B mm	Bearing No.	Maximum allowable weight N	Weights g/pc
75×34	75	34	20	10	6004ZZ	4,805	260
100×52	100	52	35	18	6207ZZ	9,807	820
130×52	130	52	35	10	6307ZZ	12,749	1,440
200×72	200	72	40	26	6308ZZ	26,480	3,410

●MC-RBW

No.	D mm	R mm	d mm	B mm	Bearing No.	Maximum allowable weight N	Weights g/pc
75×34	75	34	20	12	6004ZZ	4,511	200
100×34	100	34	35	17	6207ZZ	5,982	470
130×52	130	52	35	21	6307ZZ	12,749	1,010
200×72	200	72	40	36	6208ZZ	26,480	2,970

●MCF-RBP

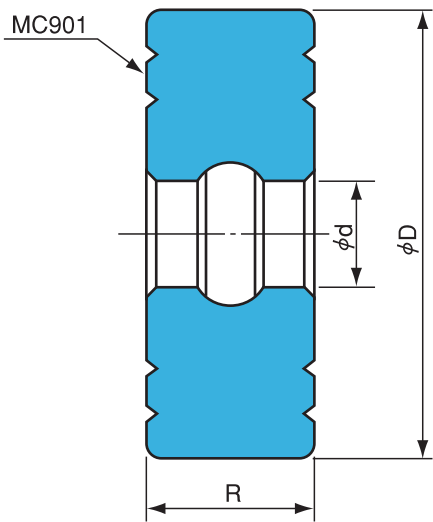
No.	D mm	R mm	d mm	B mm	Bearing No.	Maximum allowable weight N	Weights g/pc
100×35	100	35	30	70	6006ZZ	6,178	820
120×49	120	49	30	80	6206ZZ	10,983	1,550
150×49	150	49	40	110	6208ZZ	13,724	2,960
200×49	200	49	60	120	6012ZZ	16,573	3,700

※Maximum allowable weight is a reference at vertical weight

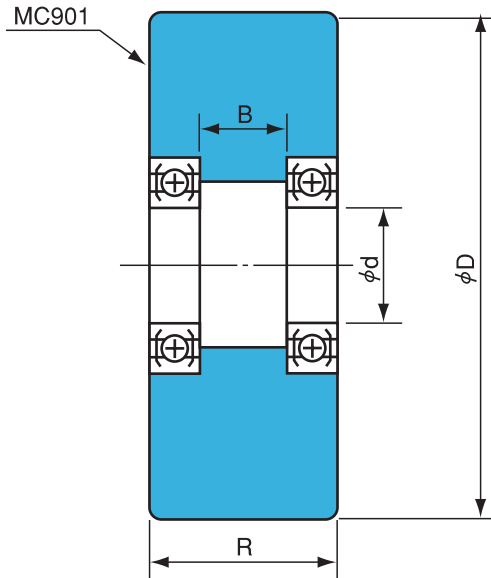
Black numbers : Standard item
Blue numbers : Non-Standard item
 - : Not manufactured

MC NYLON ROLLER

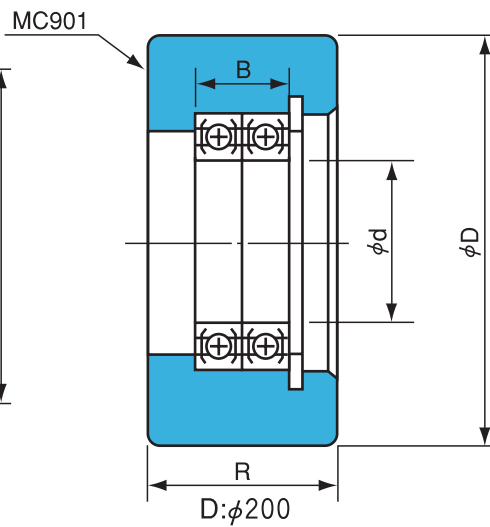
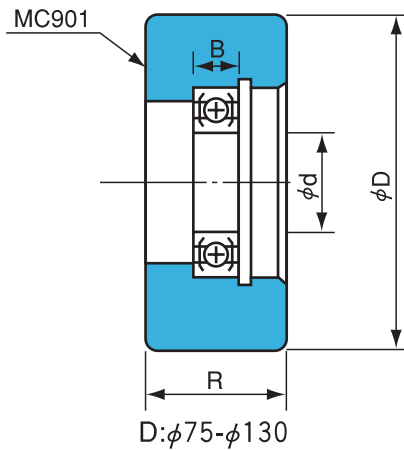
● MC-RNW



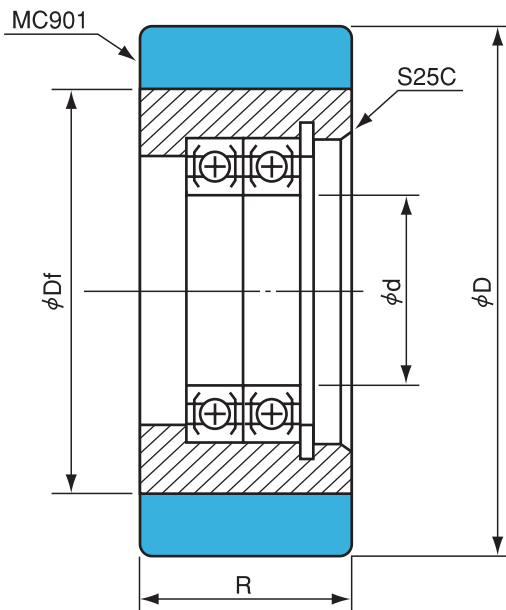
● MC-R2B^P_W



● MC-RBW



● MCF-RBP



Black numbers : Standard item
 Blue numbers : Non-Standard item
 - : Not manufactured