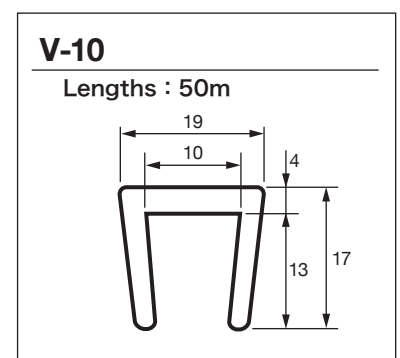
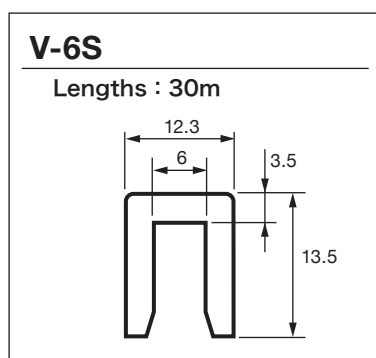
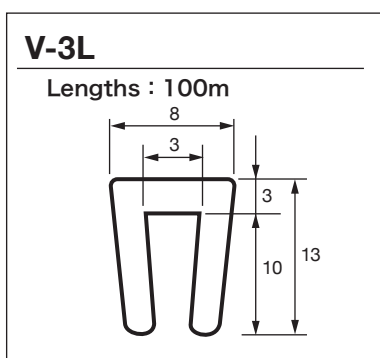
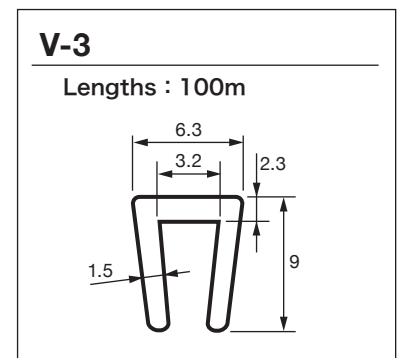
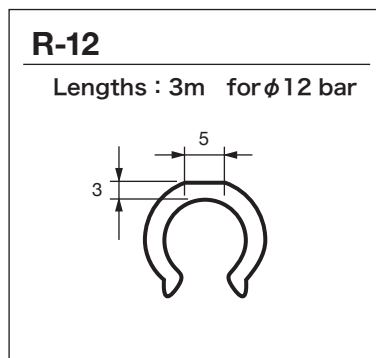
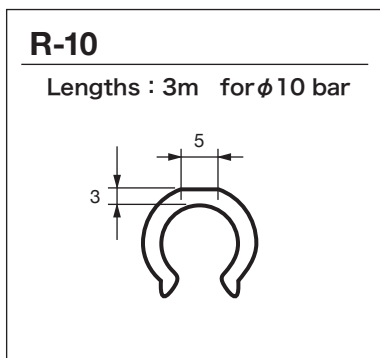
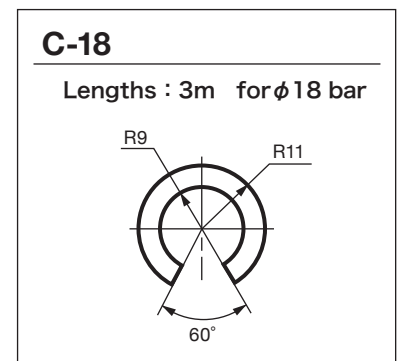
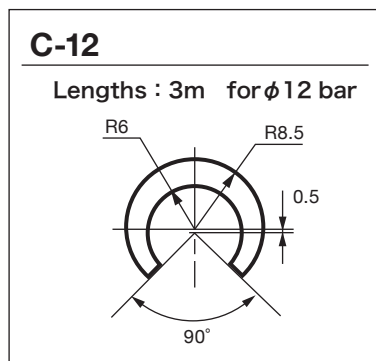
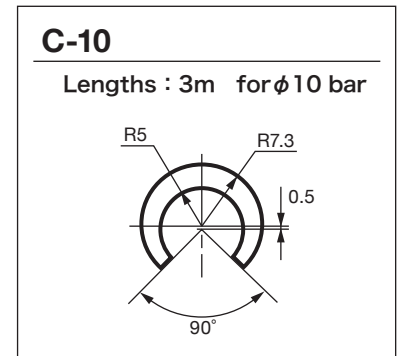
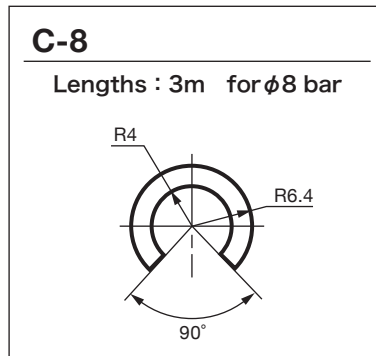


TIVAR® PROFILE

Rails

No.	Lengths
C-650 C-675 D	2
Sna-20 Snap-on-L C-8 C-10 C-12 R-10 R-12 C-18 A FA FA-2 SJQ-5 K	3
L-5 L-25	20
Z Z-22 L T T403	26
Snap-on V-6S	30
V-10	50
V-3 V-3L	100

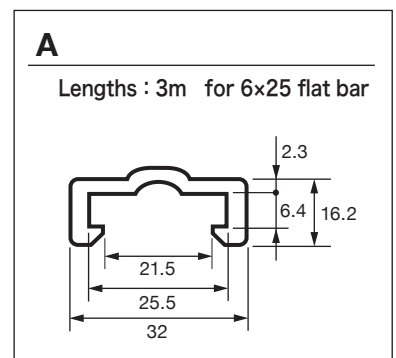
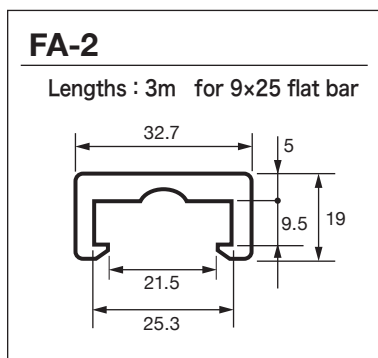
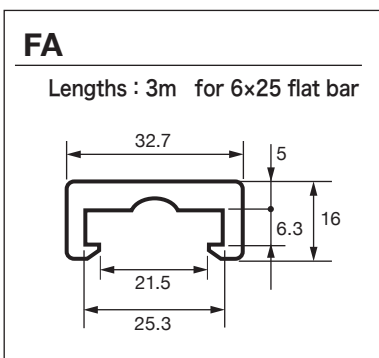
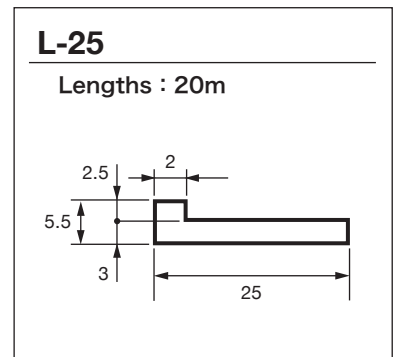
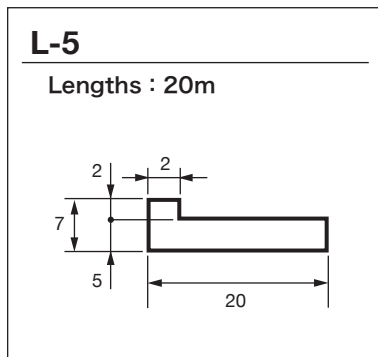
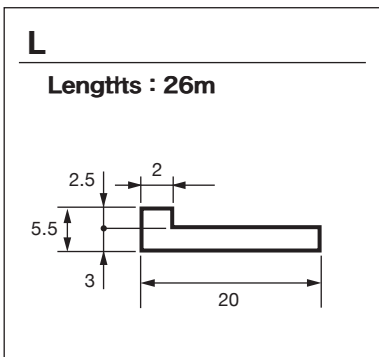
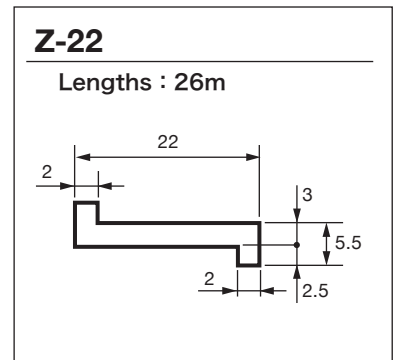
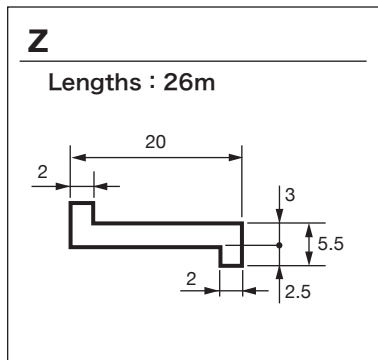
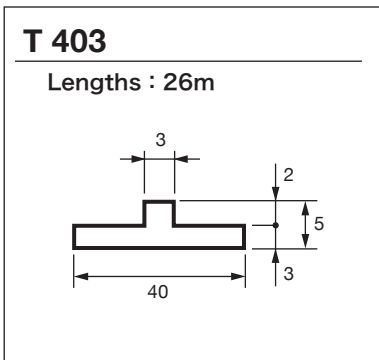
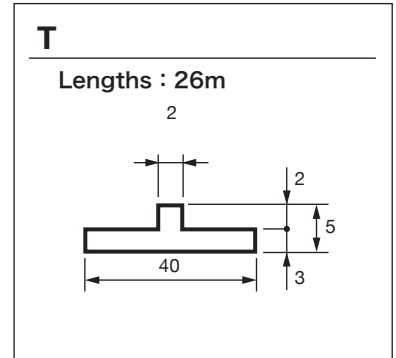
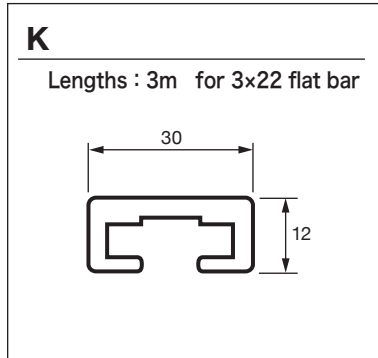
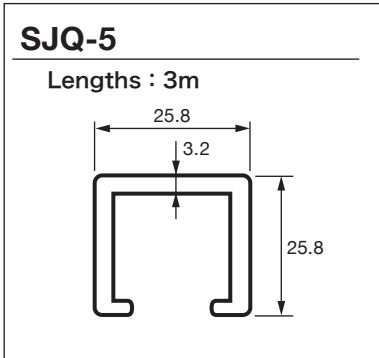
Units : mm



Black numbers : Standard item
Blue numbers : Non-Standard item
- : Not manufactured

TIVAR® PROFILE

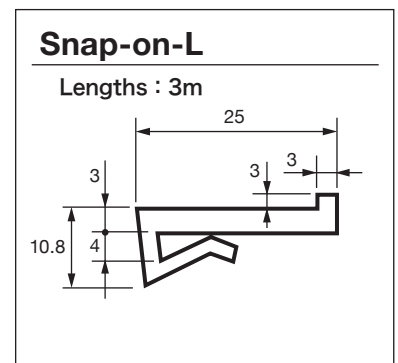
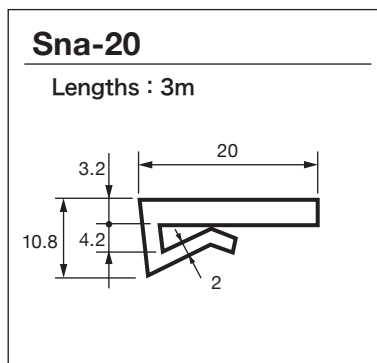
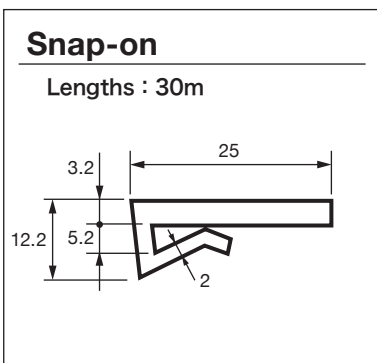
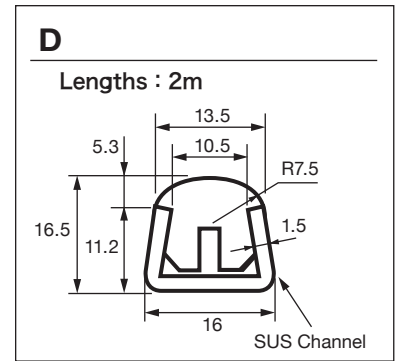
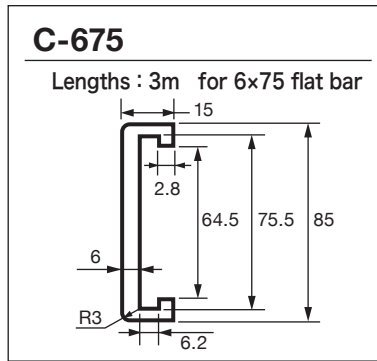
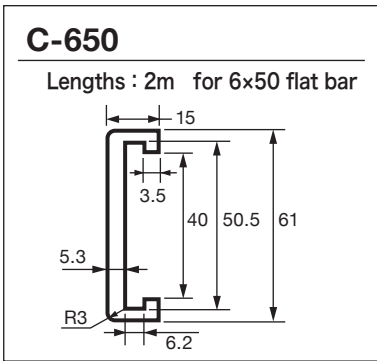
Units : mm



Black numbers : Standard item
Blue numbers : Non-Standard item
- : Not manufactured

TIVAR® PROFILE

Units : mm



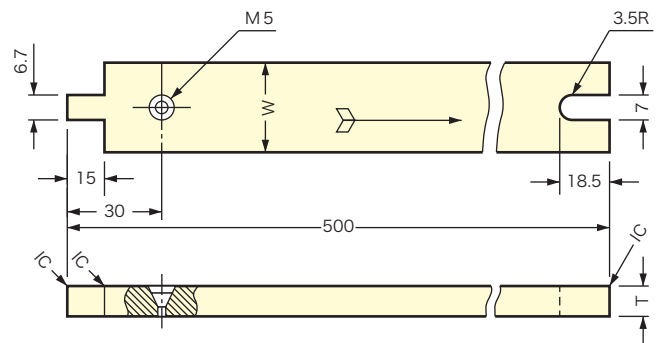
PH Rails

No.	Wmm	Tmm	Lmm	
PH320	20	3	500	
PH335	35			
PH340	40			
PH510	10			
PH512	12			
PH515	15			
PH520	20			
PH525	25			
PH530	30			
PH535	35			
PH540	40			
PH550	50			
PH555	55			
PH575	75			
PH611	11	5		65
PH614	14			
PH615	15			
PH616	16			
PH619	19			
PH620	20			
PH625	25			
PH630	30			
PH635	35			
PH640	40			
PH650	50			
		6	65	

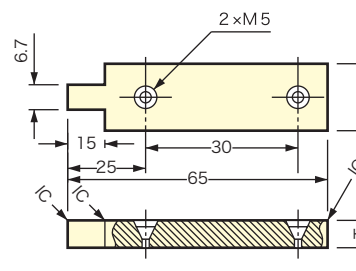
End Plates

No.	Wmm	Tmm	Lmm	
EP320	20	3	65	
EP335	35			
EP340	40			
EP510	10			
EP512	12			
EP515	15			
EP520	20			
EP525	25			
EP530	30			
EP535	35			
EP540	40			
EP550	50			
EP555	55			
EP575	75			
EP611	11	5		65
EP614	14			
EP615	15			
EP616	16			
EP619	19			
EP620	20			
EP625	25			
EP630	30			
EP635	35			
EP640	40			
EP650	50			
		6	65	

PH Rails



End Plates



Black numbers : Standard item
Blue numbers : Non-Standard item
- : Not manufactured